

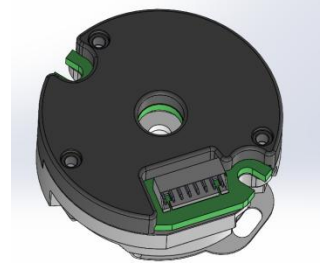
ABSOLUTE ENCODERS

➤ RZ35 Series

APPLICATION FEATURES

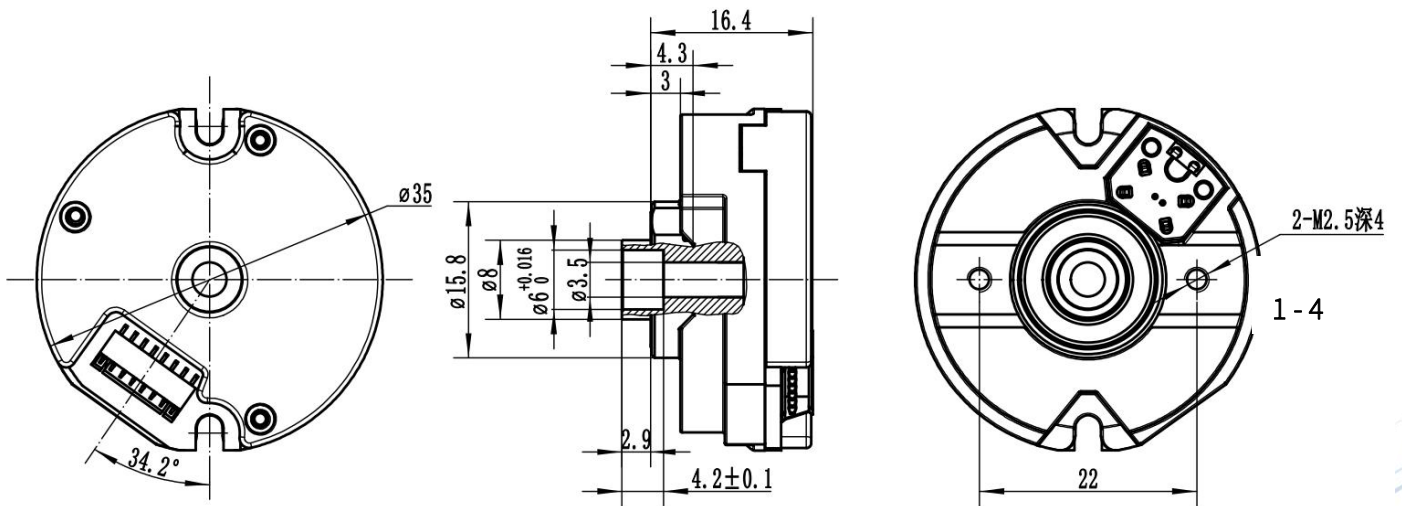
Servo motor control

- Interface RS485.
- Provides resolution of up to 17 to 23 bits.
- 16-bit multi-turn counting capability.
- Absolute positioning accuracy within ± 50 arc seconds.



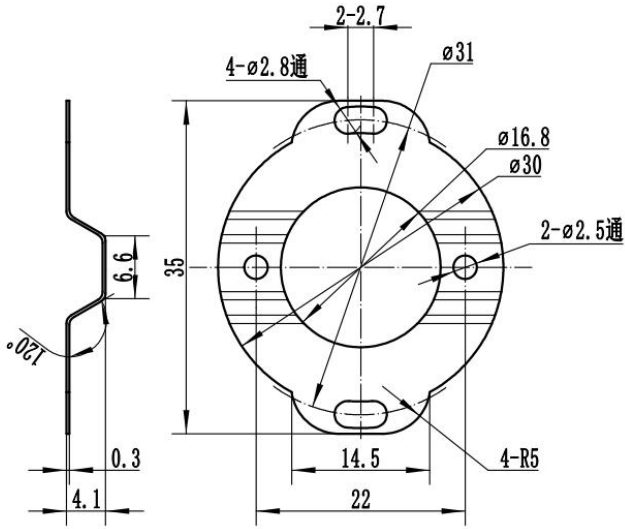
➤➤ **Model: RZ35D06S**

Main Size Selection



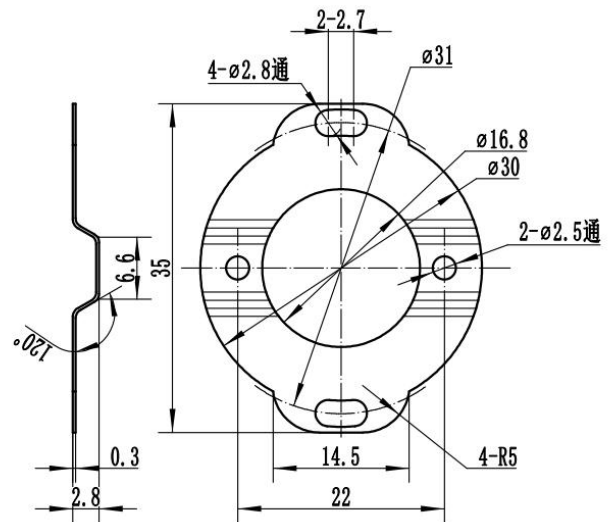
Spring Tab Size Selection

ENCODERS

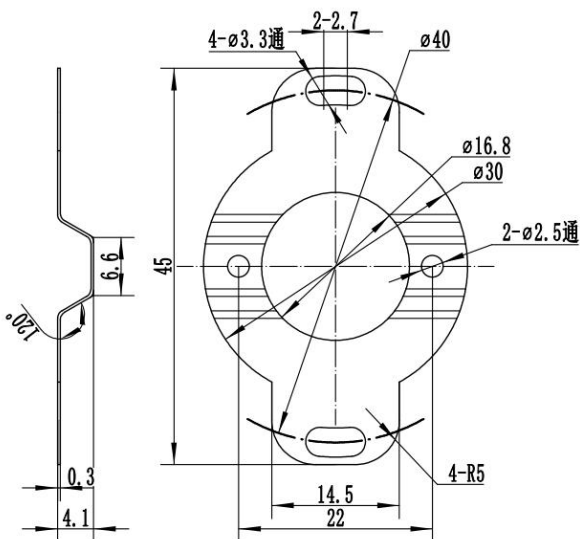


MP4131-704R (BM-Medium type mounting hole d31)

MP2831-704R (BL-Low type mounting hole d31)



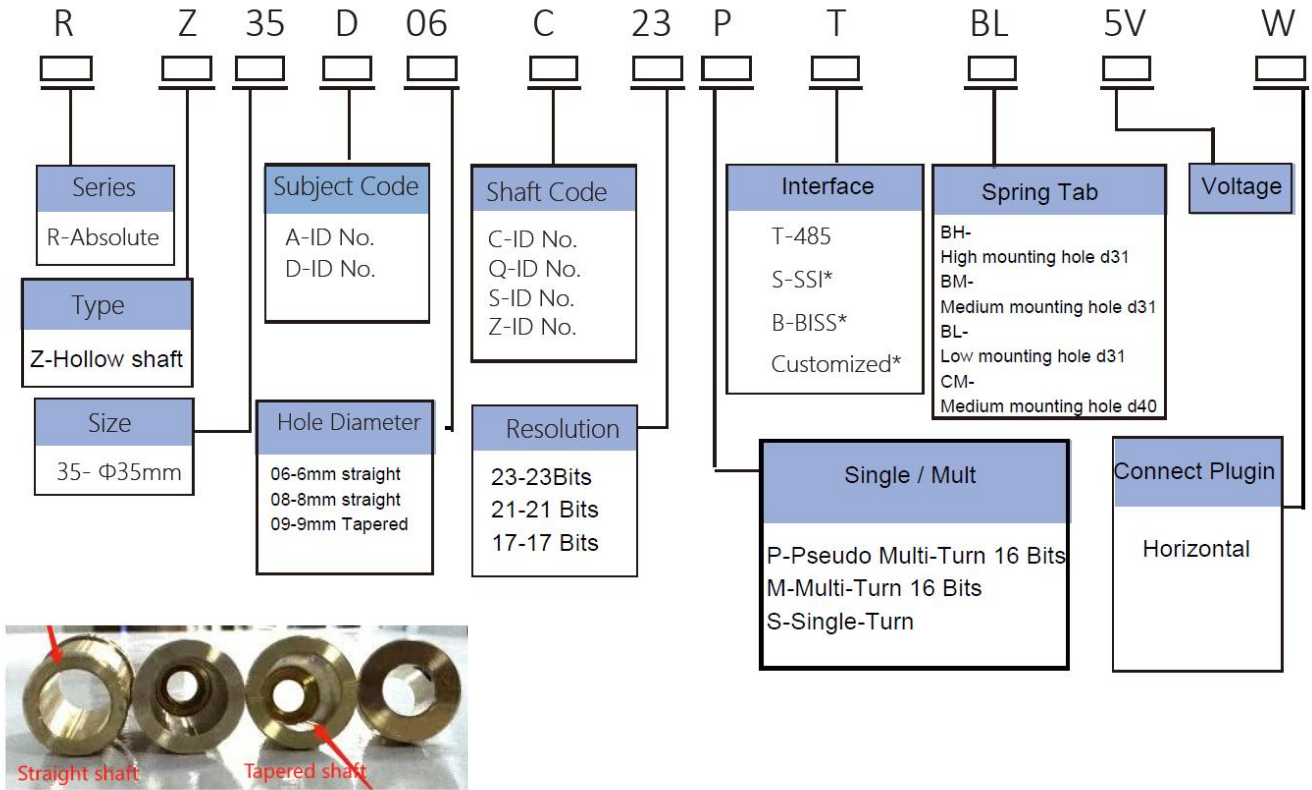
MP4140-704R (CM-Medium type mounting hole d40)



Note: The spring tab should be selected according to the motor end size.

ORDERING INFORMATION / PART NUMBER

ENCODERS



Note: 8mm straight shaft and 9mm conical shaft are only available for the RZ35A.

SIGNAL DEFINITIONS

LEAD COLOR	RED	BLACK	BLUE	YELLOW	BROWN	WHITE		SHIELDED CABLE
SOCKET PINS	1	2	3	4	5	6	7	8
SIGNAL DEFINITION	5V	GND	485+	485-	Battery Positive	Battery GND	NC	SHIELDED CABLE

Select hole diameter, resolution, interface, and spring tab according to project requirements.

If you have any customization requirements, please contact: liya@epoch-electronic.com

Please refer to the next page for key electrical and mechanical parameters.

SPECIFICATIONS

Working Temperature:	-20 °C —+105 °C
Current Consumption:	< 100mA
Battery Voltage:	3.6V DC
Battery Fault Voltage:	2.5V
Battery Warning Voltage:	3.1V

Signal:	Differential output
Supply Voltage:	Single 5V Supply
Rise/Fall Time:	Around 100ns
Insulated Resistance:	50M Ω

ELECTRICAL SPECIFICATIONS

Resolution Ranges:	131072 (17Bit) - 8388608 (23Bit)
Resolution Capabilities:	16 Bits Multi-Turn Resolution Counter
Absolute Positioning Accuracy:	<±50 Angular Seconds
Repetition Positioning Accuracy:	<±3 angular seconds
Battery Voltage Fault Warning:	Yes
Interface:	RS485
Communication Frequency:	≤ 16K
Baud Rate:	2.5MHz

MECHANICAL SPECIFICATIONS

Enter Allowable Deviation Of Shaft:	Axial:±0.5mm Radial:±0.02mm Dip Angle:0.1° Axial Endplay:<0.1mm Radial Runout:<0.01mm
Operation Speeds:	Of Up To 6000rpm
Shaft Diameter:	Axis Of A Cone Taper 1:10
Moment Of Inertia:	0.68kg * mm ²
Rotor Angular Acceleration:	During Power Supply ≤8000rad/S ² When Battery Powered ≤4000rad/S ²
Mechanical Shock:	Impact Acceleration 980m/S ² 11ms.Impact 3 Times In Each Direction, Totally 18 Times
Vibrate:	10 To 55hz, Keeping The Amplitude Of 1.5mm Acceleration Between 55 And 2000hz Is 98m/S ² XYZ 2 Hours Per Axial Direction, 6 Hours In Total
Working Temperature:	-20 °C —+105 °C
Relative Humidity:	≤90% (40°C/21d, Based On En 60068-2-78) Without Condensation.
Degree Of Protection:	IP40